

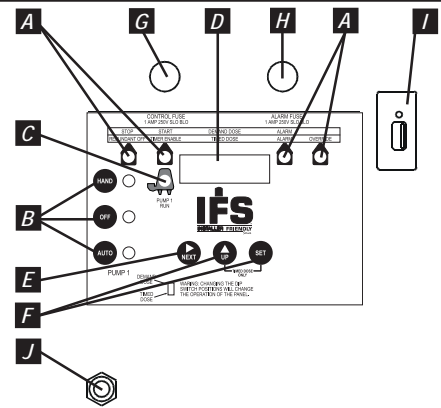
INSTALLER FRIENDLY SERIES® - IFS In-Site Single Phase Simplex (Demand/TD)

Single phase, simplex demand dose or timed dose, float controlled system for pump control, system monitoring, event logging and reporting.

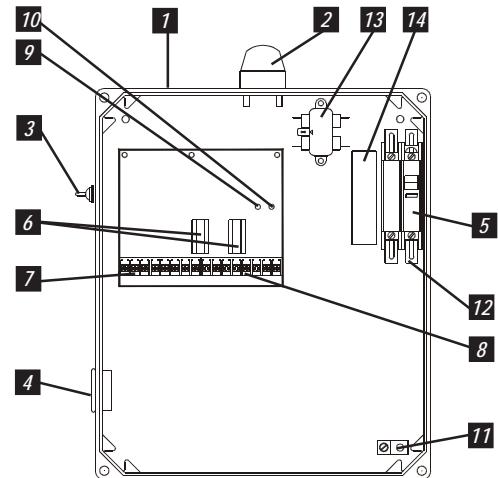
The IFS In-Site simplex control panel is designed to control one 120, 208, or 240 VAC single phase pump in water and sewage installations. The panel features an easy-to-use touch pad with display on the inner door for programming and system monitoring. The panel configuration can be easily converted in the field to either a timed dose or demand dose. Quick retrieval of all system events including pump run times, pump cycles, alarm conditions, power outages, service calls and more can be done by downloading panel information onto a USB flash drive. Data reports make diagnosing system conditions easy.

TOUCH PAD FEATURES

- A. **Float Indicators** illuminate when floats are activated. Alarm will activate if a float operates out of sequence.
- B. **HOA (Hand-Off-Automatic) Buttons** with indication control pump mode. Hand mode defaults to Automatic when stop level or redundant off level is reached.
- C. **Pump Run Indicator** illuminates when pump is called to run.
- D. **LED Display** shows system information including: mode, pump elapsed time (hh:mm), events (cycles), alarm counter, float error count, timed dose override counter (timed dose only), pump ON/OFF times (timed dose only), and sequence ON/OFF times (timed dose only).
- E. **NEXT Push Button** toggles display.
- F. **UP and SET Push Buttons** used to set pump ON/OFF times (timed dose only), date and hour.
- G. **Control Fuse**
- H. **Alarm Fuse**
- I. **USB Port** for flash drive to download time-stamped system events.
- J. **Manual Report Switch** date and time stamps service calls.



Model Shown IF11W114X8AC (Inner door view)



Model Shown IF11W114X8AC (Inside view)

PANEL COMPONENTS

1. **Enclosure** base measures 14 X 12 X 6 inches (35.56 X 30.48 X 15.24 cm). NEMA 4X (ultraviolet stabilized thermoplastic with removable mounting feet for outdoor or indoor use). **Note:** Options, voltage, and amp range selected may change enclosure size and component layout.
2. **Red Alarm Beacon** provides 360° visual check of alarm condition.
3. **Exterior Alarm Test/Normal/Silence Switch** allows horn and light to be tested and horn to be silenced in an alarm condition. Alarm automatically resets once alarm condition is cleared.
4. **Alarm Horn** provides audio warning of alarm condition (83 to 85 decibel rating).
5. **Circuit Breaker** (optional) provides pump disconnect and branch circuit protection.
6. **Power Relay** controls pump by switching electrical lines. Definite purpose contactor used when pump full load amps are above 15.
7. **Float Connection Terminal Block**
8. **Incoming Control/Alarm Terminal Block**
9. **Control Power Indicator/Fuse** indicator light illuminates if control power is present in panel. Alarm will activate if control fuse is blown.
10. **Alarm Power Indicator/Fuse** indicator light illuminates if alarm power is present in panel.
11. **Ground Lug**
12. **Incoming Pump Power Connections**
13. **RFFilter**
14. **Power Supply**

NOTE: Schematic/Wiring Diagram and Pump Specification Label are located inside the panel on enclosure cover

SEE BACKSIDE FOR COMPLETE LISTING OF AVAILABLE OPTIONS.

Reg. Cdn Pat. & TM Off

FEATURES

- Entire control system (panel and switches) is UL Listed to meet and/or exceed industry safety standards
- Dual safety certification for the United States and Canada
- Standard package includes:
Demand Dose - three 20' SJE MilliAmpMaster™ control switches
Timed Dose - two 20' SJE MilliAmpMaster™ control switches
- Complete with step-by-step installation instructions
- Three-year limited warranty



PO Box 1708, Detroit Lakes, MN 56502
 1-888-DIAL-SJE • 1-218-847-1317

1-218-847-4617 Fax

email: sje@sjerhombus.com

www.sjerhombus.com

	IFI		1	W					8AC
MODEL IFI									
MODEL TYPE									
<input type="checkbox"/>	1 = SPLX TIMED DOSE (includes option 8AC standard)								\$1840.00
<input type="checkbox"/>	2 = SPLX DEMAND DOSE (includes option 8AC standard)								\$1865.00
ALARMPACKAGE									
<input checked="" type="checkbox"/>	1 = alarm package (includes test/normal/silence switch, fuse, red light & horn)								Base
ENCLOSURERATING									
<input checked="" type="checkbox"/>	W = NEMA 4X								Base
STARTING DEVICE									
<input type="checkbox"/>	1 = 120/208/240 VAC								Base
<input type="checkbox"/>	9 = 120 VAC								Base
PUMP FULL LOAD AMPS									
<input type="checkbox"/>	0 = 0-7 FLA								Base
<input type="checkbox"/>	1 = 7-15 FLA								Base
<input type="checkbox"/>	2 = 15-20 FLA								\$80.00
PUMP DISCONNECTS									
<input type="checkbox"/>	0 = no pump disconnect								Base
<input type="checkbox"/>	4 = circuit breaker								
	120 VAC (must select starting device option 9)								\$35.00
	120/208/240 VAC (must select starting device option 1)								\$70.00
SWITCH APPLICATIONS									
<input type="checkbox"/>	H = floats (Timed dose = low level and alarm / Demand dose = stop, start, and alarm)(select 17 option)								Base
<input type="checkbox"/>	X = no float								
	timed dose								-\$50.00
	demand Dose								-\$75.00
Note: Pump down applications only.									
OPTIONS <i>Listed below</i>									
									Total Options
									TOTAL LIST PRICE

If additional features are required, call the factory for a quote on an Engineered Custom control panel.

CODE DESCRIPTION	LIST PRICE	CODE DESCRIPTION	LIST PRICE
<input type="checkbox"/> 1J Duo alarm inputs	\$25.00	<input type="checkbox"/> 11C NEMA 1 remote alarm panel	
<input type="checkbox"/> 3A Alarm flasher	\$50.00	<i>(must select option 6A)</i>	\$80.00
<input type="checkbox"/> 3B Manual reset alarm	\$90.00	<input type="checkbox"/> 11D NEMA 4X remote alarm panel	
<input type="checkbox"/> 4A Redundant off <i>(select option 4D if floats are required)</i>		<i>(must select option 6A)</i>	\$250.00
Demand Dose	\$55.00	<input type="checkbox"/> 15A Control / Alarm circuit breaker	\$85.00
Timed Dose	\$0.00	<input type="checkbox"/> 16A 10' cord in lieu of 20' <i>(per float)</i>	-\$2.00
<input type="checkbox"/> 4D Redundant off float	\$25.00	<input type="checkbox"/> 16B 15' cord in lieu of 20' <i>(per float)</i>	-\$1.00
<input type="checkbox"/> 6A Auxiliary alarm contacts, form C	\$40.00	<input type="checkbox"/> 16C 30' cord in lieu of 20' <i>(per float)</i>	\$5.00
<input checked="" type="checkbox"/> 8AC Display board includes: ETM counter, events (cycles)		<input type="checkbox"/> 16D 40' cord in lieu of 20' <i>(per float)</i>	\$15.00
counter, alarm counter, and override counter (timed dose		<input type="checkbox"/> 17C Sensor Float® / internally weighted ▲ <i>(per float)</i> ...	\$5.00
only). (Included as standard.)	\$0.00	<input type="checkbox"/> 17D Sensor Float® / externally weighted ▲ <i>(per float)</i> ..	\$7.00
<input type="checkbox"/> 10E Lockable latch - NEMA 4X	\$40.00	<input type="checkbox"/> 17G MilliAmpMaster™ / pipe clamp ● <i>(per float)</i>	\$0.00
<input type="checkbox"/> 10F Lightning arrestor <i>(must select pump circuit breaker,</i>		<input type="checkbox"/> 17H MilliAmpMaster™ / externally weighted ● <i>(per float)</i> \$7.00	
<i>control and alarm power combined)</i>	\$230.00	<input type="checkbox"/> 17J Sensor Float® / pipe clamp ▲ <i>(per float)</i>	\$0.00
<input type="checkbox"/> 10K Anti-condensation heater	\$100.00	<input type="checkbox"/> 18A Timer override option with float (timed dose only) \$25.00	
<i>(must select if operating temperature is colder than 0 degrees F (-18 degrees C.)</i>		● Mechanically-activated ▲ Mercury-activated	

MODEL	IFI	1	1	W	9	1	4	H	8AC 10E 17G		
Model Type									LIST PRICE	IFI1	\$1840.00
Alarm Package										1	Base
Enclosure Rating										W	Base
Starting Device										9	Base
Pump Full Load Amps										1	Base
Pump Disconnects										4	\$35.00
Switch Application										H	Base
Options: Display, Lockable Latch,										8AC	\$0.00
SJE MilliAmpMaster™ / pipe clamp										10E	\$40.00
										17G	\$0.00
										TOTAL LIST PRICE	\$1915.00