

# INSTALLER FRIENDLY SERIES® - IFS In-Site Single Phase Duplex (Demand/TD)

Single phase, duplex demand dose or timed dose, float controlled system for pump control, system monitoring, event logging and reporting.

The IFS duplex control panel is designed to control two (alternating) 120, 208, or 240 VAC single phase pumps in water and sewage installations. The panel features an easy-to-use touch pad with display on the inner door for programming and system monitoring. The panel configuration can be easily converted in the field to either a timed dose or demand dose. Quick retrieval of all system events including pump run times, pump cycles, alarm conditions, power outages, service calls and more can be done by downloading panel information onto a USB flash drive. Data reports make diagnosing system conditions easy.

## TOUCH PAD FEATURES

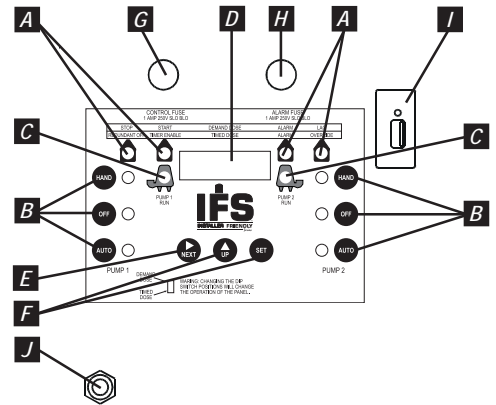
- A. **Float Indicators** illuminate when floats are activated. Alarm will activate if a float operates out of sequence.
- B. **HOA (Hand-Off-Automatic) Buttons** with indication control pump mode. Hand mode defaults to Automatic when stop level or redundant off level is reached.
- C. **Pump Run Indicators** will illuminate when pumps are called to run.
- D. **LED Display** shows system information including: mode, pumps elapsed time (hh:mm), events (cycles), alarm counter, float error count, timed dose override counter (timed dose only), pump ON/OFF times (timed dose only), and sequence ON/OFF times (timed dose only).
- E. **NEXT Push Button** toggles display.
- F. **UP and SET Push Buttons** used to set pump ON/OFF times (timed dose only), pump operation (alternate 1-2 and 2-1), date and hour.
- G. **Control Fuse**
- H. **Alarm Fuse**
- I. **USB Port** for flash drive to download time-stamped system events.
- J. **Manual Report Switch** date and time stamps service calls.

## PANEL COMPONENTS

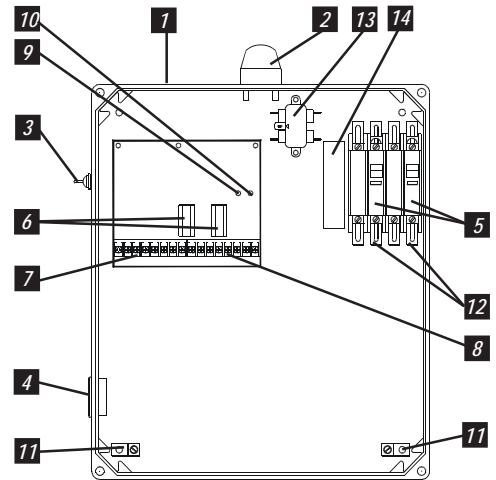
1. **Enclosure base** measures 16 X 14 X 6 inches (40.64 X 35.56 X 15.24 cm). NEMA 4X (ultraviolet stabilized thermoplastic with removable mounting feet for outdoor or indoor use). **Note:** Options, voltage, and amp range selected may change enclosure size and component layout.
2. **Red Alarm Beacon** provides 360° visual check of alarm condition.
3. **Exterior Alarm Test/Normal/Silence Switch** allows horn and light to be tested and horn to be silenced in an alarm condition. Alarm automatically resets once alarm condition is cleared.
4. **Alarm Horn** provides audio warning of alarm condition (83 to 85 decibel rating).
5. **Circuit Breakers** (optional) provide pump disconnect and branch circuit protection.
6. **Power Relays** control pump by switching electrical lines. Definite purpose contactors used when pump full load amps are above 15.
7. **Float Connection Terminal Block**
8. **Incoming Control/Alarm Terminal Block**
9. **Control Power Indicator/Fuse** indicator light illuminates if control power is present in panel. Alarm activates if control fuse is blown.
10. **Alarm Power Indicator/Fuse** indicator light illuminates if alarm power is present in panel.
11. **Ground Lugs**
12. **Incoming Pump Power Connections**
13. **RF Filter**
14. **Power Supply**

**NOTE:** Schematic/Wiring Diagram and Pump Specification Label are located inside the panel on enclosure cover

SEE BACKSIDE FOR COMPLETE LISTING OF AVAILABLE OPTIONS.



Model Shown IFI31W114X8AC  
(Inner door view)



Model Shown IFI31W114X8AC  
(Inside view)

Reg. Cdn Pat. & TM Off

## FEATURES

- Entire control system (panel and switches) is UL Listed to meet and/or exceed industry safety standards
- Dual safety certification for the United States and Canada
- Standard package includes:  
**Demand Dose** - three 20' SJE MilliAmpMaster™ control switches  
**Timed Dose** - two 20' SJE MilliAmpMaster™ control switches
- Complete with step-by-step installation instructions
- Three-year limited warranty



PO Box 1708, Detroit Lakes, MN 56502  
1-888-DIAL-SJE • 1-218-847-1317

1-218-847-4617 Fax

email: sje@sjerhombus.com

www.sjerhombus.com



**MODEL IFI**

<input type="checkbox"/>	3 = DPLX TIMED DOSE (includes option 8AC standard) .....	\$1914.00
<input type="checkbox"/>	4 = DPLX DEMAND DOSE (includes option 8AC standard) .....	\$1939.00
<input checked="" type="checkbox"/>	<b>ALARM PACKAGE</b>	
<input checked="" type="checkbox"/>	1 = alarm package (includes test/normal/silence switch, fuse, red light & horn) .....	Base
<input checked="" type="checkbox"/>	<b>ENCLOSURE RATING</b>	
<input checked="" type="checkbox"/>	W = NEMA 4X .....	Base
<input type="checkbox"/>	<b>STARTING DEVICE</b>	
<input type="checkbox"/>	1 = 120/208/240 VAC .....	Base
<input type="checkbox"/>	9 = 120 VAC .....	Base
<input type="checkbox"/>	<b>PUMP FULL LOAD AMPS</b>	
<input type="checkbox"/>	0 = 0-7 FLA .....	Base
<input type="checkbox"/>	1 = 7-15 FLA .....	Base
<input type="checkbox"/>	2 = 15-20 FLA .....	\$105.00
<input type="checkbox"/>	<b>PUMP DISCONNECTS</b>	
<input type="checkbox"/>	0 = no pump disconnect .....	Base
<input type="checkbox"/>	4 = circuit breaker(s)	
	120 VAC (must select starting device option 9) .....	\$70.00
	120/208/240 VAC (must select starting device option 1) .....	\$140.00
<input type="checkbox"/>	<b>SWITCH APPLICATIONS</b>	
<input type="checkbox"/>	H = floats (Timed dose = low level and alarm / Demand dose = stop, start, and lag/alarm)(select 17 option) .	Base
<input type="checkbox"/>	X = no float	
	timed dose .....	-\$50.00
	demand Dose .....	-\$75.00

**Note:** Pump down applications only.

**OPTIONS** *Listed below*

Total Options \_\_\_\_\_  
**TOTAL LIST PRICE** \_\_\_\_\_

**If additional features are required, call the factory for a quote on an Engineered Custom control panel.**

CODE DESCRIPTION	LIST PRICE	CODE DESCRIPTION	LIST PRICE
<input type="checkbox"/> 1J Duo alarm inputs .....	\$25.00	<input type="checkbox"/> 11C NEMA 1 remote alarm panel	
<input type="checkbox"/> 3A Alarm flasher .....	\$50.00	<i>(must select option 6A)</i> .....	\$80.00
<input type="checkbox"/> 3B Manual reset alarm .....	\$90.00	<input type="checkbox"/> 11D NEMA 4X remote alarm panel	
<input type="checkbox"/> 4A Redundant off <i>(select option 4D if floats are required)</i>		<i>(must select option 6A)</i> .....	\$250.00
Demand Dose .....	\$55.00	<input type="checkbox"/> 15A Control / Alarm circuit breaker .....	\$85.00
Timed Dose .....	\$0.00	<input type="checkbox"/> 16A 10' cord in lieu of 20' <i>(per float)</i> .....	-\$2.00
<input type="checkbox"/> 4D Redundant off float .....	\$25.00	<input type="checkbox"/> 16B 15' cord in lieu of 20' <i>(per float)</i> .....	-\$1.00
<input type="checkbox"/> 6A Auxiliary alarm contacts, form C .....	\$40.00	<input type="checkbox"/> 16C 30' cord in lieu of 20' <i>(per float)</i> .....	\$5.00
<input checked="" type="checkbox"/> 8AC Display board includes: ETM counter, events (cycles)		<input type="checkbox"/> 16D 40' cord in lieu of 20' <i>(per float)</i> .....	\$15.00
counter, alarm counter, and override counter (timed dose		<input type="checkbox"/> 17C Sensor Float® / internally weighted ▲ <i>(per float)</i> ..	\$5.00
only). <b>(Included as standard.)</b> .....	\$0.00	<input type="checkbox"/> 17D Sensor Float® / externally weighted ▲ <i>(per float)</i> ..	\$7.00
<input type="checkbox"/> 10E Lockable latch - NEMA 4X .....	\$40.00	<input type="checkbox"/> 17G MilliAmpMaster™ / pipe clamp ● <i>(per float)</i> .....	\$0.00
<input type="checkbox"/> 10F Lightning arrestor <i>(must select pump circuit breakers,</i>		<input type="checkbox"/> 17H MilliAmpMaster™ / externally weighted ● <i>(per float)</i> ..	\$7.00
<i>control and alarm power combined)</i> .....	\$230.00	<input type="checkbox"/> 17J Sensor Float® / pipe clamp ▲ <i>(per float)</i> .....	\$0.00
<input type="checkbox"/> 10K Anti-condensation heater .....	\$100.00	<input type="checkbox"/> 18A Timer override option with float (timed dose only)	\$25.00
<i>(must select if operating temperature is colder than</i>		<input type="checkbox"/> 19F Fourth float to separate alarm function from lag	
<i>0 degrees F (-18 degrees C.)</i>		(demand dose only) .....	\$25.00

● Mechanically-activated      ▲ Mercury-activated

**SAMPLE**

<b>MODEL</b>	<b>IFI 3 1 W 9 1 4 H 8AC 10E 17G</b>	<b>LIST PRICE</b>	
Model Type	IFI	IFI3 .....	\$1914.00
Alarm Package	3	1W .....	Base
Enclosure Rating	1	9 .....	Base
Starting Device	W	1 .....	Base
Pump Full Load Amps	9	4 .....	\$70.00
Pump Disconnects	1	H .....	Base
Switch Application	4	8AC .....	\$0.00
Options: Display, Lockable Latch,	H	10E .....	\$40.00
SJE MilliAmpMaster™ / pipe clamp	8AC 10E 17G	17G .....	\$0.00
		<b>TOTAL LIST PRICE</b>	<b>\$2024.00</b>