

# SJE-Rhombus® C-Level™ Simulator

The SJE-Rhombus® C-Level™ Sensor Simulator is an easy-to-use, hand-held test instrument designed to generate an adjustable C-Level™ simulation signal. The output of the C-Level™ Sensor Simulator is adjusted across the full range by turning the simulator's adjustment knob. The C-Level™ Sensor Simulator can be used on almost any SJE-Rhombus® C-Level™ enabled device.

## ⚠ WARNING! ELECTRICAL SHOCK HAZARD



This product is intended for use by a qualified service person. Always follow applicable electrical codes. Disconnect all power to the equipment to be tested prior to connecting or disconnecting this device. This device is intended for low voltage instrumentation testing. Do not connect to voltages higher than 24 VDC. Do not use in wet locations.

## ⚠ WARNING! EXPLOSION OR FIRE HAZARD

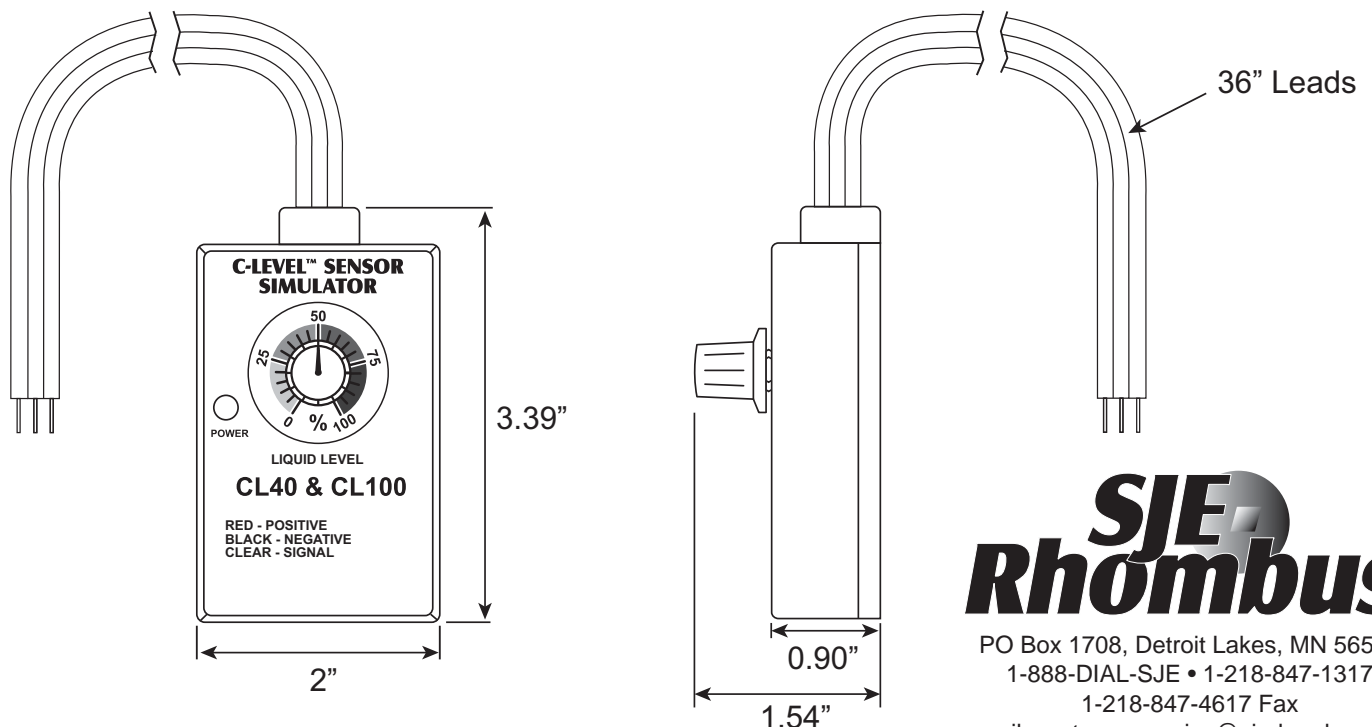


This product is NOT intended for use in hazardous locations as defined by the National Electrical Code, ANSI/NFPA 70.

## SPECIFICATIONS

|                       |  |
|-----------------------|--|
| SUPPLY VOLTAGE        | 7-13 VDC ±5%   |
| OUTPUT SIGNAL         | FREQUENCY (1 kHz to 3 kHz)                                     |
| ACCURACY              | ± 5%   |
| OPERATING TEMPERATURE | +32° TO +122° F  |
| ENCLOSURE MATERIAL    | ABS PLASTIC  |
| WEIGHT                | 5 oz.  |
| CABLE                 | SPEC: 20 AWG, 3 COND.<br>LENGTH: 36 IN<br>TERMINATION: FERRULE |
| FUSE                  | 500mA 5x20MM FAST BLOW   |

## DIMENSIONS



# SJE Rhombus®

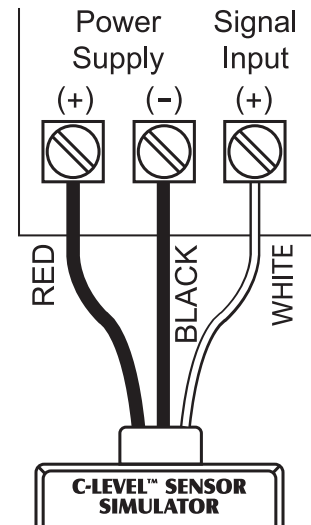
PO Box 1708, Detroit Lakes, MN 56502  
 1-888-DIAL-SJE • 1-218-847-1317  
 1-218-847-4617 Fax  
 email: customer.service@sjerhombus.com  
[www.sjerhombus.com](http://www.sjerhombus.com)

## USING THE SIMULATOR

1. Connect the C-Level™ Simulator leads to the device according to Figure A.
2. When connected correctly and power applied, the green loop power indicator turns on.

## CONNECTION

Figure A



## TEST THE SYSTEM

1. Verify the device being tested shows a minimum value for the input when the C-Level™ Sensor Simulator adjustment knob is turned fully counter-clockwise, and a maximum value when the adjustment knob is turned fully clockwise.
2. Verify the device being tested shows a consistent increase in value while turning the C-Level™ Sensor Simulator adjustment knob from the minimum to the maximum.

## TROUBLESHOOTING

If the C-Level™ Sensor Simulator power indicator fails to light when connected:

1. Check all wiring connections and verify the power supply voltage is present.
2. Check the C-Level™ Sensor Simulator fuse by removing the four screws on the back cover and removing the fuser cover.
3. Contact the factory if the problem persists.

## SJE-RHOMBUS® ONE-YEAR LIMITED WARRANTY

**SJE-RHOMBUS®** warrants to the original consumer that this product shall be free of manufacturing defects for one (1) year after the date of consumer purchase. During that time period and subject to the conditions set forth below, **SJE-RHOMBUS®** will repair or replace, for the original consumer, any component which proves to be defective due to defective materials or workmanship of **SJE-RHOMBUS®**.

**ELECTRICAL WIRING AND SERVICING OF THIS PRODUCT MUST BE PERFORMED BY A LICENSED ELECTRICIAN.**

**THIS WARRANTY DOES NOT APPLY:** (A) to damage due to conditions beyond the control of **SJE-RHOMBUS®**; (B) to defects or malfunctions resulting from failure to properly connect or operate the unit in accordance with printed instructions provided; (C) to failures resulting from abuse, misuse, accident, or negligence; (D) to units which are not used in accordance with applicable local codes, ordinances, or accepted trade practices, and (E) to units repaired and/or modified without prior authorization from **SJE-RHOMBUS®**.

*Some states do not allow limitations on how long an implied warranty lasts, so the above limitation may not apply to you. Some states do not allow the exclusion or limitation of incidental or consequential damages, so the above limitation or exclusion may not apply to you. This warranty gives you specific legal rights, and you may also have other rights which vary from state to state.*

**TO OBTAIN WARRANTY SERVICE:** The consumer shall assume all responsibility and expense for removal, reinstallation, and freight. Any item to be repaired or replaced under this warranty must be returned to **SJE-RHOMBUS®**, or such place as designated by **SJE-RHOMBUS®**.

**ANY IMPLIED WARRANTIES OF MERCHANTABILITY OR FITNESS ARE LIMITED TO THE DURATION OF THIS WRITTEN WARRANTY. SJE-RHOMBUS® SHALL NOT, IN ANY MANNER, BE LIABLE FOR ANY INCIDENTAL OR CONSEQUENTIAL DAMAGES AS A RESULT OF A BREACH OF THIS WRITTEN WARRANTY OR ANY IMPLIED WARRANTY.**

### NOTICE!

Products returned must be cleaned, sanitized, or decontaminated as necessary prior to shipment to ensure that employees will not be exposed to health hazards in handling said material. All applicable laws and regulations shall apply.