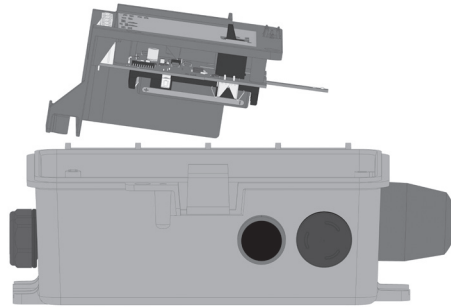
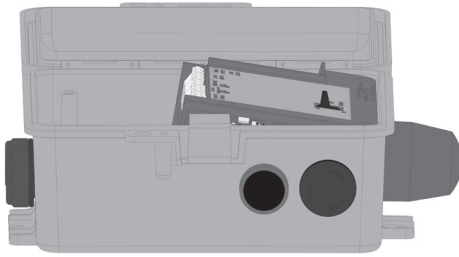
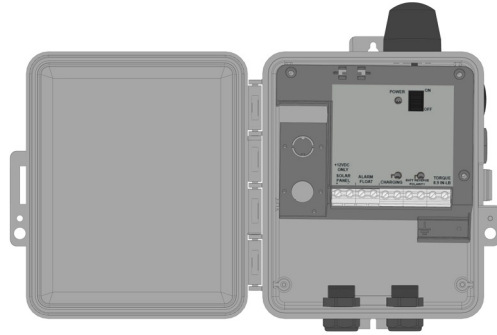


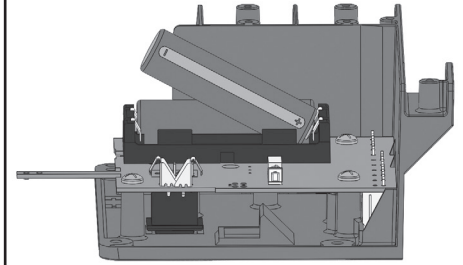
CIRCUIT BOARD/BATTERY REPLACEMENT INSTALLATION INSTRUCTIONS

Replacing a Tank Alert® Solar Alarm Circuit Board/Batteries

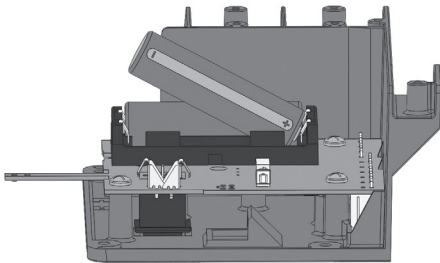
1. Cover solar panel.
2. Label and remove wires connected to solar panel and float switch.
3. Remove the three screws holding the interior plastic bracket. The screws will be reused to secure the replacement circuit board assembly.



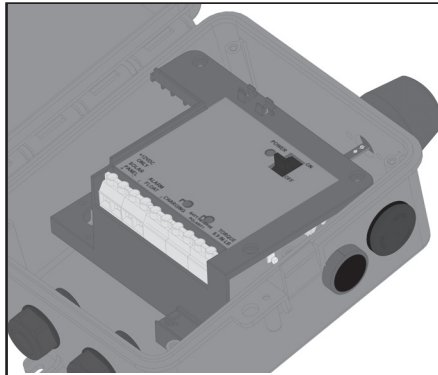
4. Remove the bracket assembly by pulling the bottom edge first and rotating the assembly, being careful not to damage the beacon circuit which is inserted into the beacon lens.



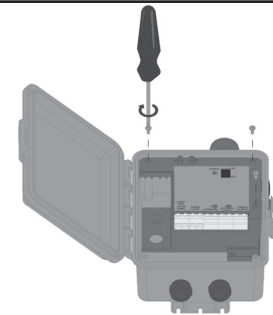
5. Cut zip tie and remove the batteries.



6. Install new batteries and make sure polarity is correct.



7. Insert the replacement assembly into the enclosure by first carefully inserting the beacon circuit into the beacon lens and rotating the assembly into its original position.



8. Secure the replacement assembly to the enclosure using the original screws.
9. With the replacement assembly installed, reinstall the field wiring in the same order as the previously installed. Remove cover from solar panel.

**Verify proper charging and alarm after installation is complete.
For field support, please call 1-800-RHOMBUS (1-800-746-6287).**

SJE Rhombus

22650 County Highway 6 ■ P.O. Box 1708 ■ Detroit Lakes, Minnesota 56502 USA
1-888-DIAL-SJE (1-888-342-5753) ■ Phone: 218-847-1317 ■ Fax: 218-847-4617
E-mail: customer.service@sjerhombus.com Customer Service Hours: Monday - Friday, 7 A.M. to 6 P.M. Central Time