

EZ Series® Plugger Control Panel

Easy to install control panel provides convenient wiring connection for use with one single phase pump in effluent and sewage installations.

The EZ Series® Plugger control panels feature a sleek easy to install panel and optional mounting post. The panel includes a built-in high water alarm with test/normal/silence switch and incorporates a receptacle to accept 120 VAC or 240 VAC pump and piggy-back pump switch.

The optional post models include an access door and cord seal which allow piggy-back and pump plugs to be easily routed and sealed into the panel. The post can be mounted in the ground directly, over a 4X4, or over conduit. The panel is also available with optional duo alarm and auxiliary contacts to meet the needs of various applications.

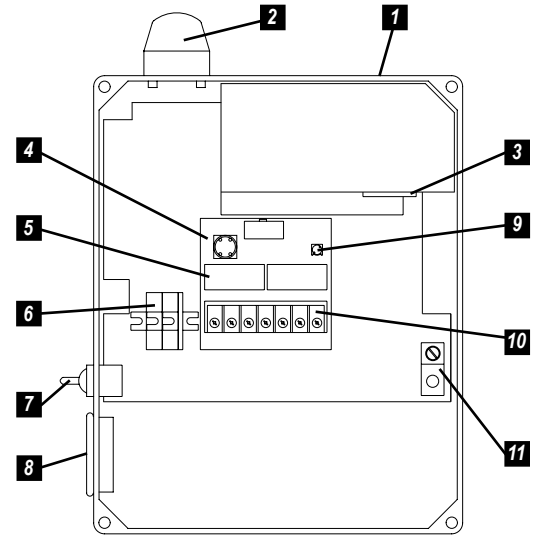
PANEL COMPONENTS

1. **Enclosure** measures 10 x 8 x 6 inch (25.40 x 20.30 x 15.2 cm) with removable mounting feet, NEMA 4X rated, ultraviolet stabilized thermoplastic for indoor and outdoor use. Includes locking latch as standard.
2. **Red Alarm Beacon** provides 360° visual check of alarm condition.
3. **Receptacle** for use with piggy-back pump switch.
4. **Alarm Fuse** (mounted on circuit board).
5. **Horn Silence Relay** (mounted on circuit board).
6. **Pump Circuit Terminal Block**
7. **Exterior Alarm Test/Normal/Silence Switch** allows horn and light to be tested and horn to be silenced in an alarm condition. Alarm automatically resets once alarm condition is cleared.
8. **Alarm Horn** provides audio warning of alarm condition (83 to 85 decibel rating).
9. **Alarm Power Indicator** (mounted on circuit board).
10. **Alarm Circuit Terminal Block** (mounted on circuit board).
11. **Ground Lug**

NOTE: Schematic/Wiring Diagram is located inside the panel.

OPTIONAL FEATURES

- 34" mounting post with cord seal
- Duo Alarm
- Elapsed Time Meter (See Accessories catalog page for information.)
- Various cord lengths available
- Pump circuit breaker



FEATURES

- Entire control system (panel and switches, excluding VRS) is UL Listed to meet and/or exceed industry safety standards
- Dual safety certification for the United States and Canada
- Standard package includes alarm float switch
- Complete with step-by-step installation instructions
- Five-year limited warranty



SJE
Rhombus

PO Box 1708, Detroit Lakes, MN 56502
1-888-DIAL-SJE • 1-218-847-1317
1-218-847-4617 Fax

email: customer.service@sjerhombus.com
www.sjerhombus.com B.9

SEE BACKSIDE FOR COMPLETE LISTING OF AVAILABLE OPTIONS.

E Z P W C 10E

MODEL EZP

MODEL

1 = 120V \$332.00

2 = 240V \$413.00

ALARM PACKAGE

0 = no alarm package -\$35.00

1 = alarm package Base

ENCLOSURE RATING

W = Weatherproof, NEMA 4X (engineered thermoplastic) Base

STARTING DEVICE

2 = SJE PumpMaster® Plus pump switch (0-15 FLA) \$60.00

6 = no pump switch Base

7 = 120 VAC Double Float® Master pump switch (0-15 FLA) \$90.00

8 = 240 VAC Double Float® Master pump switch (0-15 FLA) \$90.00

A = SJE MicroMaster® Plus WS (0-13 FLA) \$45.00

PUMP FULL LOAD AMPS

C = 0-15 FLA Base

PUMP DISCONNECT

0 = no pump disconnect Base

4 = circuit breaker

 120 VAC \$35.00

 240 VAC \$70.00

SWITCH APPLICATION

H = pump down (must select 17 option) Base

X = no alarm floats -\$25.00

OPTIONS *Listed below*

Total Options _____

TOTAL LIST PRICE _____

CODE	DESCRIPTION	LIST PRICE	CODE	DESCRIPTION	LIST PRICE
<input type="checkbox"/> 1J	Duo alarm inputs with alarm	\$70.00	<input type="checkbox"/> 16B	15' cord in lieu of 20' (per float)	-\$1.00
	without alarm	\$25.00	<input type="checkbox"/> 16C	30' cord in lieu of 20' (per float)	\$5.00
<input type="checkbox"/> 1V	Vertical Reed Switch (must select 1J)	\$65.00	<input type="checkbox"/> 16D	40' cord in lieu of 20' (per float)	\$7.00
<input type="checkbox"/> 6A	Auxiliary alarm contacts, form C	\$15.00	<input type="checkbox"/> 17A	SJE SignalMaster® / pipe clamp (alarm float only)	\$0.00
<input type="checkbox"/> 8G	ETM w/piggy-back	\$85.00	<input type="checkbox"/> 22C	2" hub installed with cord seal	\$55.00
<input checked="" type="checkbox"/> 10E	Locking Latch (included as standard)	\$0.00	<input type="checkbox"/> 22F	PSP Assembly kit	\$55.00
<input type="checkbox"/> 10P	Mounting post (factory installed, includes cord seal)	\$90.00			
<input type="checkbox"/> 11C	NEMA 1 alarm panel (must select option 6A)	\$80.00			
<input type="checkbox"/> 11G	NEMA 3R alarm panel (TA Duo) (must select option 1J)	\$132.00			
<input type="checkbox"/> 16A	10' cord in lieu of 20' (per float) (Does not apply for Double Float® Master pump switch)	-\$2.00			

SAMPLE

MODEL EZP1 1 W 2 C O H 1J 10EP 11G 17A

Alarm Package _____

Enclosure Rating _____

Starting Device _____

Pump Full Load Amps _____

Pump Disconnect _____

Float Switch Application _____

Options: Duo alarm inputs, Locking Latch, Mounting Post, Duo Alarm, & SJE Signal Master®/pipe clamp

EZP1	\$332.00
1	Base
W	Base
2	\$60.00
C	Base
0	Base
H	Base
1J	\$70.00
10E	Base
10P	\$90.00
11G	\$132.00
17A	\$0.00
TOTAL LIST PRICE		\$684.00