

INSTALLER FRIENDLY SERIES® - IFS Single Phase Simplex Capacitor (Start/Run)

Single phase, simplex demand dose or timed dose, float or C-Level™ controlled system for pump control and system monitoring.

The IFS single phase simplex capacitor (start/run) control panel is designed to control one 120, 208, or 240 VAC single phase pump in water and sewage installations. The IFS single phase simplex capacitor (start/run) control panel features a simple, easy-to-use touch pad on the inner door for programming and monitoring pump and float operation.

The optional C-Level™ sensor is a pressure transducer that senses the liquid level in the tank and sends a signal to the IFS panel. Pump activation levels can be adjusted by using the panel touch pad. C-Level™ CL40 sensor operating range is 3-39.9 inches (7.6-101.3 cm). C-Level™ CL100 operating range is 3-99.5 inches (7.6-252.7 cm).

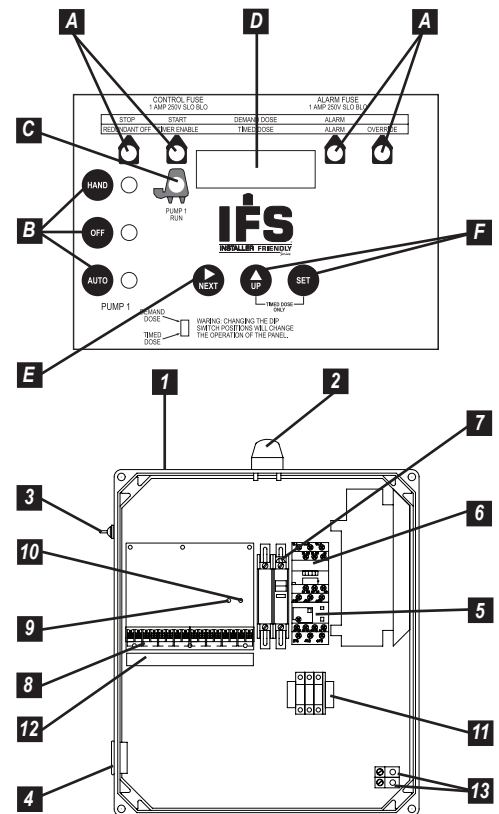
TOUCH PAD FEATURES

- A. **Level Status Indicators** illuminate when floats or set points are activated. Alarm will activate if a float operates out of sequence.
- B. **HOA (Hand-Off-Automatic) Buttons** control pump mode with indication. Hand mode defaults to Automatic when stop level or redundant off level is reached.
- C. **Pump Run Indicator** illuminates when pump is called to run.
- D. **LED Display** shows system information including: level in inches or centimeters (C-Level™ only), mode, pump elapsed time (hh:mm), events (cycles), alarm counter, float error count, timed dose override counter (timed dose only), and ON/OFF times (timed dose only).
- E. **NEXT Push Button** toggles display.
- F. **UP and SET Push Buttons** set pump ON/OFF times (timed dose only) or activation levels (C-Level™ only).

PANEL COMPONENTS

1. **Enclosure base** measures 16 x 14 x 6 inches (40.64 x 35.56 x 15.24 cm). NEMA 4X (ultraviolet stabilized thermoplastic with removable mounting feet for outdoor or indoor use). **Note:** Options, voltage, and amp range selected may change enclosure size and component layout.
2. **Red Alarm Beacon** provides 360° visual check of alarm condition.
3. **Exterior Alarm Test/Normal/Silence Switch** allows horn and light to be tested and horn to be silenced in an alarm condition. Alarm automatically resets once alarm condition is cleared.
4. **Alarm Horn** provides audio warning of alarm condition (83 to 85 decibel rating).
5. **Overload Relay** (optional) provides pump overload protection.
6. **IEC Motor Contactor** controls pump by switching electrical lines.
7. **Circuit Breaker** (optional) provides pump disconnect and branch circuit protection.
8. **Float and Control/Alarm Incoming Terminal Block**
9. **Control Power Indicator/Fuse** indicator light illuminates if control power is present in panel. Alarm will activate if control fuse is blown.
10. **Alarm Power Indicator/Fuse** indicator light illuminates if alarm power is present in panel.
11. **Large Pump Connection Power Terminal Block**
12. **Terminal Block Float and Control/Alarm Incoming Power Wiring Label**
13. **Ground Lugs**

NOTE: Schematic/Wiring Diagram and Pump Specification Label are located inside the panel on enclosure cover.



Model Shown IFS71W114X912A8AC

Reg. Cdn Pat. & TM Off

C-Level™ Sensor US Patent No. 8,336,385; 8,567,242; 8,650,949

FEATURES

- Entire control system is UL Listed to meet and/or exceed industry safety standards
- Dual safety certification for the United States and Canada
- Standard package includes three 20' control switches
- Available with EZconnex® float system
- Complete with step-by-step installation instructions
- Five-year limited warranty. This express warranty does not apply to the motor start kit components. SJE-Rhombus will warranty motor start kit components supplied by SJE-Rhombus for one year. SJE-Rhombus makes no warranties of any type with respect to motor start kits supplied by a customer.



SJE RHOMBUS

PO Box 1708, Detroit Lakes, MN 56502

1-888-DIAL-SJE • 1-218-847-1317

1-218-847-4617 Fax

email: customer.service@sjerhombus.com

www.sjerhombus.com B.19

SEE BACKSIDE FOR COMPLETE LISTING OF AVAILABLE OPTIONS.

IFS7		W	1				
------	--	---	---	--	--	--	--

MODEL IFS7 \$1,413.00

- ALARM PACKAGE**
 1 = alarm package (includes test/normal/silence switch, fuse, red light, horn, & float) Base
- ENCLOSURE RATING**
 W = Weatherproof, NEMA 4X (engineered thermoplastic) Base
- STARTING DEVICE**
 1 = IEC motor contactor 120/208/240V Base
- PUMP FULL LOAD AMPS**
 0 = 0-7 FLA Base
 1 = 7-15 FLA Base
 2 = 15-20 FLA \$80.00
 3 = 20-30 FLA \$90.00
 4 = 30-40 FLA \$115.00
- PUMP DISCONNECTS**
 0 = no pump disconnect Base
 4 = circuit breaker \$ 70.00
- FLOAT SWITCH APPLICATION**
 H or L = pump down or pump up (select 17 option) Base
 E = Ezconnex® float switch system (select 33 or 34 option)
 WITH alarm package - \$75.00
 X = no floats
 WITH alarm package - \$75.00
 C = C-Level™ sensor (must select 24 or 29 option) - \$75.00
 (select option 3E and/or 4A & 4D for high water alarm and/or redundant off floats)

Note: Pump down applications only.
Industry practices suggest that a secondary device, such as a float switch, be used for redundant activation of the high level alarm and pump shut off.

OPTIONS *Listed below*

Start/run capacitor kits must be ordered separately (see option 12 below or call factory) Total Options _____
TOTAL LIST PRICE _____

CODE	DESCRIPTION	LIST PRICE	CODE	DESCRIPTION	LIST PRICE
<input type="checkbox"/> 3A	Alarm flasher	\$50.00	<input type="checkbox"/> 16A	10' cord in lieu of 20' (per float)	\$2.00
<input type="checkbox"/> 3B	Manual alarm reset	\$90.00	<input type="checkbox"/> 16B	15' cord in lieu of 20' (per float)	\$1.00
<input type="checkbox"/> 3E	High water alarm float (must select 17 option) <i>(Available only when Switch Applications = C)</i>	\$25.00	<input type="checkbox"/> 16C	30' cord in lieu of 20' (per float)	\$5.00
<input type="checkbox"/> 4A	Redundant off..... <i>(select option 4D if floats are required)</i>	\$55.00	<input type="checkbox"/> 16D	40' cord in lieu of 20' (per float)	\$15.00
<input type="checkbox"/> 4D	Redundant off float <i>(must select 4A option) (must select 17 option)</i>	\$25.00	<input type="checkbox"/> 17C	Sensor Float® / internally weighted ▲ (per float)	\$5.00
<input type="checkbox"/> 5A	Thermal cutout/heat sensor auto reset <i>(for pumps w/thermal switch leads)</i>	\$40.00	<input type="checkbox"/> 17D	Sensor Float® / externally weighted ▲ (per float)	\$7.00
<input type="checkbox"/> 5E	Seal failure circuit & red indicator (2 wire)	\$160.00	<input type="checkbox"/> 17G	SJE MilliAmpMaster™ / pipe clamp ● (per float)	\$0.00
<input type="checkbox"/> 6A	Auxiliary alarm contacts, form C	\$40.00	<input type="checkbox"/> 17H	SJE MilliAmpMaster™ / externally weighted ● (per float)	\$7.00
<input checked="" type="checkbox"/> 8AC	Display board includes: ETM counter, events (cycles) counter, alarm counter. <i>(Included as standard)</i>	\$0.00	<input type="checkbox"/> 17J	Sensor Float® / pipe clamp ▲ (per float)	\$0.00
<input type="checkbox"/> 9_A	Pump overload specify amperage after number 9 followed by letter "A". Example: 912A = 12 amp pump.		<input type="checkbox"/> 24E	C-Level™ CL40 sensor with 4' vent tube & 20' cord	\$280.00
<input type="checkbox"/>	0-30 FLA	\$60.00	<input type="checkbox"/> 24F	C-Level™ CL40 sensor with 4' vent tube & 40' cord	\$310.00
<input type="checkbox"/>	30-100 FLA	\$100.00	<input type="checkbox"/> 24G	C-Level™ CL40 sensor with 8' vent tube & 20' cord	\$285.00
<input type="checkbox"/> 10E	Lockable latch - NEMA 4X	\$40.00	<input type="checkbox"/> 24H	C-Level™ CL40 sensor with 8' vent tube & 40' cord	\$315.00
<input type="checkbox"/> 10F	Lightning arrestor (must select pump circuit breakers, control and alarm power combined)	\$200.00	<input type="checkbox"/> 24X	No C-Level™ CL40 sensor	\$0.00
<input type="checkbox"/> 10K	Anti-condensation heater	\$100.00	<input type="checkbox"/> 29A	C-Level™ CL100 sensor w/10' vent tube & 20' cord	\$290.00
<input type="checkbox"/> 11C	NEMA 1 remote alarm panel <i>(must select option 6A)</i>	\$80.00	<input type="checkbox"/> 29B	C-Level™ CL100 sensor w/10' vent tube & 40' cord	\$320.00
<input type="checkbox"/> 11D	NEMA 4X remote alarm panel <i>(must select option 6A)</i>	\$250.00	<input type="checkbox"/> 29X	No C-Level™ CL100 sensor	\$0.00
<input type="checkbox"/> 12B	Customer supplied motor start components, mounted in enclosure by SJE-Rhombus	\$110.00	<input type="checkbox"/> 33D	EZconnex® 3-Port, 25', w/10' floats (3) /pipe clamp *	\$268.00
<input type="checkbox"/> 12C	Motor start component, mounted and supplied by SJE-Rhombus	Call Factory	<input type="checkbox"/> 33E	EZconnex® 3-Port, 50', w/10' floats (3) /pipe clamp *	\$304.00
			<input type="checkbox"/> 33G	EZconnex® 3-Port, 25', w/20' floats (3) /pipe clamp *	\$288.00
			<input type="checkbox"/> 33H	EZconnex® 3-Port, 50', w/20' floats (3) /pipe clamp *	\$324.00
			<input type="checkbox"/> 34D	EZconnex® 4-Port, 25', w/10' floats (3) /pipe clamp, sealing plug *	\$343.00
			<input type="checkbox"/> 34E	EZconnex® 4-Port, 50', w/10' floats (3) /pipe clamp, sealing plug *	\$388.00
			<input type="checkbox"/> 34G	EZconnex® 4-Port, 25', w/20' floats (3) /pipe clamp, sealing plug *	\$362.00
			<input type="checkbox"/> 34H	EZconnex® 4-Port, 50', w/20' floats (3) /pipe clamp, sealing plug *	\$407.00

● Mechanically-activated ▲ Mercury-activated * EZconnex® mechanically-activated, narrow angle float switches with quick release connections.