

INSTALLER FRIENDLY SERIES® - IFS In-Site® Single Phase Duplex (Demand/TD)

Single phase, duplex demand dose or timed dose, float or C-Level™ sensor controlled system for pump control, system monitoring, event logging and reporting.

The IFS In-Site® duplex control panel is designed to control two (alternating) 120, 208, or 240 VAC single phase pumps in water and sewage installations. The alternating action equalizes pump wear. In addition to the alternating pump control, this system provides override control should either pump fail. The panel features an easy-to-use touch pad with display on the inner door for programming and system monitoring. The panel configuration can be easily converted in the field to either a timed dose or demand dose. Quick retrieval of all system events including pump run times, pump cycles, alarm conditions, power outages, service calls and more can be done by downloading panel information onto a USB flash drive. Data reports make diagnosing system conditions easy.

The optional C-Level™ sensor is a pressure transducer that senses the liquid level in the tank and sends a signal to the IFS panel. Pump activation levels can be adjusted by using the panel touch pad. C-Level™ CL40 sensor operating range is 3-39.9 inches (7.6-101.3 cm). C-Level™ CL100 operating range is 3-99.5 inches (7.6-252.7 cm).

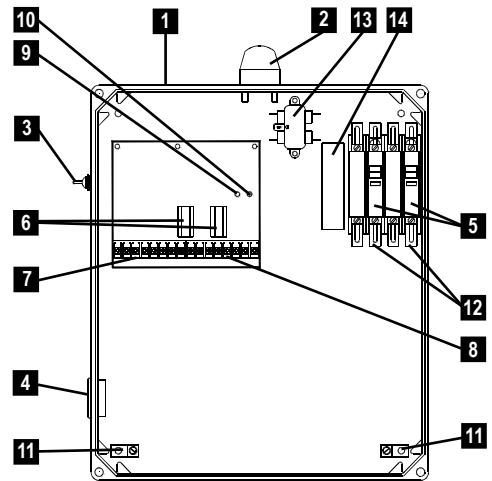
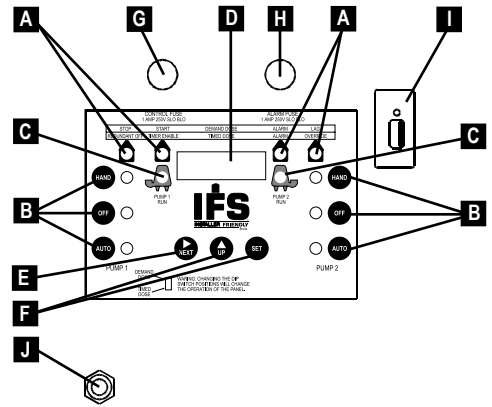
TOUCH PAD FEATURES

- A. **Level Status Indicators** illuminate when floats or set points are activated. Alarm will activate if a float operates out of sequence.
- B. **HOA (Hand-Off-Automatic) Buttons** with indication control pump mode. Hand mode defaults to Automatic when stop level or redundant off level is reached.
- C. **Pump Run Indicators** will illuminate when pumps are called to run.
- D. **LED Display** shows system information including: level in inches or centimeters (C-Level™ only), mode, pumps elapsed time (hh:mm), events (cycles), alarm counter, float error count, timed dose override counter (timed dose only), pump ON/OFF times (timed dose only), and sequence ON/OFF times (timed dose only).
- E. **NEXT Push Button** toggles display.
- F. **UP and SET Push Buttons** used to set pump ON/OFF times (timed dose only), pump operation (alternate 1-2 and 2-1), date and hour, activation levels (C-Level™ only).
- G. **Control Fuse**
- H. **Alarm Fuse**
- I. **USB Port** for flash drive to download time-stamped system events.
- J. **Manual Report Switch** date and time stamps service calls.

PANEL COMPONENTS

1. **Enclosure base** measures 16 X 14 X 6 inches (40.64 X 35.56 X 15.24 cm). NEMA 4X (ultraviolet stabilized thermoplastic with removable mounting feet for outdoor or indoor use). **Note:** Options, voltage, and amp range selected may change enclosure size and component layout.
2. **Red Alarm Beacon** provides 360° visual check of alarm condition.
3. **Exterior Alarm Test/Normal/Silence Switch** allows horn and light to be tested and horn to be silenced in an alarm condition. Alarm automatically resets once alarm condition is cleared.
4. **Alarm Horn** provides audio warning of alarm condition (83 to 85 decibel rating).
5. **Circuit Breakers** (optional) provide pump disconnect and branch circuit protection.
6. **Power Relays** control pump by switching electrical lines. Definite purpose contactors used when pump full load amps are above 15.
7. **Float Connection Terminal Block**
8. **Incoming Control/Alarm Terminal Block**
9. **Control Power Indicator/Fuse** indicator light illuminates if control power is present in panel. Alarm activates if control fuse is blown.
10. **Alarm Power Indicator/Fuse** indicator light illuminates if alarm power is present in panel.
11. **Ground Lugs**
12. **Incoming Pump Power Connections**
13. **RF Filter**
14. **Power Supply**

NOTE: Schematic/Wiring Diagram and Pump Specification Label are located inside the panel on enclosure cover.



Model Shown IFI31W114X8AC

Reg. Cdn Pat. & TM Off

C-Level™ Sensor US Patent No. 8,336,385; 8,567,242; 8,650,949

FEATURES

- Entire control system is UL Listed to meet and/or exceed industry safety standards
- Dual safety certification for the United States and Canada
- Standard package includes:
 - Demand Dose** - three 20' SJE MilliAmpMaster™ control switches
 - Timed Dose** - two 20' SJE MilliAmpMaster™ control switches
- Complete with step-by-step installation instructions
- Five-year limited warranty



SEE BACKSIDE FOR COMPLETE LISTING OF AVAILABLE OPTIONS.

SJE Rhombus

PO Box 1708, Detroit Lakes, MN 56502

1-888-DIAL-SJE • 1-218-847-1317

1-218-847-4617 Fax

email: customer.service@sjerhombus.com

www.sjerhombus.com B.25

