

SJE VERTICALMASTER® II LC CONTROL Switch

Mechanically-activated control switch designed to activate low current control panels and alarms.

This control switch offers reliable control for AC and DC applications in non-potable water, and waste-water. The internal switching mechanism has sealed gold cross-point contacts for reliable low current operation. Common applications include PLC (programmable logic controller) panels, IS panels, with intrinsically safe barriers, low current solar barriers, low current solar applications, and other low current control panel and alarm applications.

The SJE VerticalMaster® II LC (Low Current) switch is not sensitive to turbulence.

It is available in normally open (high level) operation only.



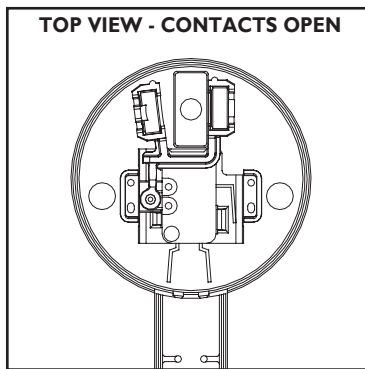
U.S. Patent No. 6,140,925
CA Pats. 2,367,577 and 2,694,446
Euro Pat. 1203360
German Pat. DE69931196T2
China Pat. 201110089665.0

FEATURES

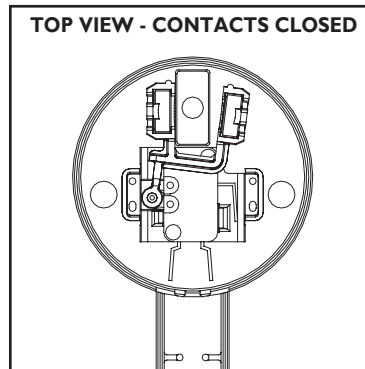
- Adjustable activation range of .75 to 6.5 inches (2 to 17 cm).
- Low current, non-arcing applications down to 0.160 mA at 125 VAC
- Includes standard boxed packaging.
- CSA Certified.
- Five-year limited warranty.



Member of
Hydraulic
INDUSTRY



TOP VIEW - CONTACTS OPEN



TOP VIEW - CONTACTS CLOSED

OPTIONS

This switch is available:

- in standard cable lengths of 10 and 20 feet (3 and 6 meters)

SPECIFICATIONS

CABLE: flexible 18 gauge, 2 conductor
(UL, CSA) SJTOW, SJTW

MOUNTING BRACKET & HOSE CLAMP:
stainless steel

LIFT ROD: injection molded acetal plastic

FLOAT STOP: neoprene

SWITCH AND FLOAT HOUSING: high impact,
corrosion resistant, PVC housing for use in
non-potable water up to 52°C (125°F)

Overall dimensions: 12 inch high x 5 inch
x 3 inch wide (30.5 cm high x 12.7
cm x 7.6 cm wide)

**Switch housing dimensions (excluding
cable entrance):** 2 inch high x 2.8 inch
diameter (5 cm high x 7.1 cm diameter)

Float housing dimensions: 2.5 inch high x
2.7 inch diameter (6.4 cm high x 6.9 cm
diameter)

ELECTRICAL:

125 VAC

Maximum Electrical Load:

1 amp

Minimum Electrical Load:

0.160 milliamps

30 VDC

Maximum Electrical Load:

0.1 amps

Minimum Electrical Load:

0.160 milliamps

5 VDC

Minimum Electrical Load:

1 milliamps



SJE RHOMBUS

PO Box 1708, Detroit Lakes, MN 56502

1-888-DIAL-SJE • 1-218-847-1317

1-218-847-4617 Fax

email: customer.service@sjeinc.com

www.sjerhombus.com

G.13

**SEE REVERSE SIDE FOR ORDERING INFORMATION.
SEE PRICE BOOK FOR LIST PRICE.**

SJE VERTICALMASTER® II LC CONTROL Switch

Mechanically-activated, control switch designed to activate low current control panels and alarms.

ORDERING INFORMATION

Normally Open		Shipping Weight
Part Number	Description	
1025024	10VMILC BOX	1.65 lbs.
1039781	20VMILC BOX	2.36 lbs

SEE PRICE BOOK FOR LIST PRICE.

SPECIFICATIONS

ACTIVATION RANGE: .75 to 6.5 inches (2 cm to 17 cm)

CABLE: flexible 18 gauge, 2 conductor SJTOW, SJTW (UL, CSA)

MOUNTING BRACKET AND HOSE CLAMP: stainless steel

LIFT ROD: injection molded acetal plastic

FLOAT STOP: neoprene

SWITCH AND FLOAT HOUSING: high impact, corrosion resistant, PVC housing for use non-potable water up to 52°C (125°F)

Overall dimensions: 12 inch high x 5 inch x 3 inch wide (30.5 cm high x 12.7 cm x 7.6 cm wide)

Switch housing dimensions (excluding cable entrance): 2 inch high x 2.8 inch diameter (5 cm high x 7.1 cm diameter)

Float housing dimensions: 2.5 inch high x 2.7 inch diameter (6.4 cm high x 6.9 cm diameter)

ELECTRICAL:

125 VAC

Maximum Electrical Load:

1 amp

Minimum Electrical Load:

0.160 milliamps

30 VDC

Maximum Electrical Load:

0.1 amps

Minimum Electrical Load:

0.160 milliamps

5 VDC

Minimum Electrical Load:

1 milliamps

OPTIONS

MOUNTING BRACKET AND HOSE CLAMP ARE STANDARD

BOXED PACKAGING IS STANDARD

Bulk packaging is not available.

UL Recognized for Water & Sewage



OTHER INFORMATION

NORMALLY OPEN (HIGH LEVEL) OPERATION

The control switch closes (turns on) when the float rises signaling a high level, and opens (turns off) when the float drops.

Call or fax your order!

1-888-DIAL-SJE (1-888-342-5753) • Fax 218-847-4617

*Product offering and pricing are subject to change without notice.
Please visit www.sjerhombus.com for the most current information.*



SJE RHOMBUS

www.sjerhombus.com

customer.service@sjeinc.com